

FIREPLACE KIT SYSTEM FROM BRUNNER



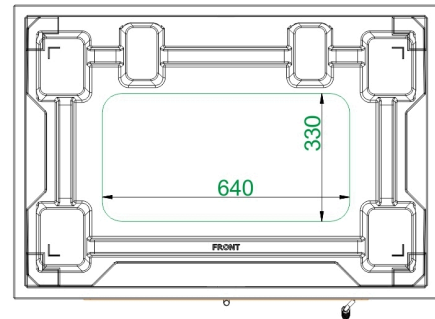
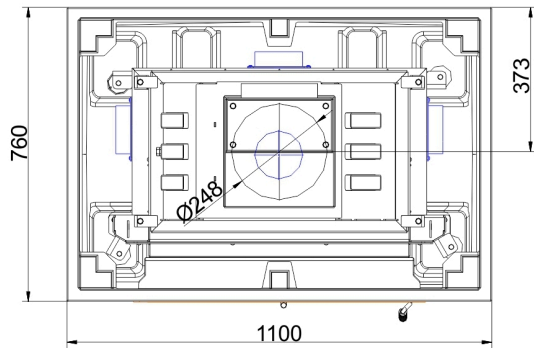
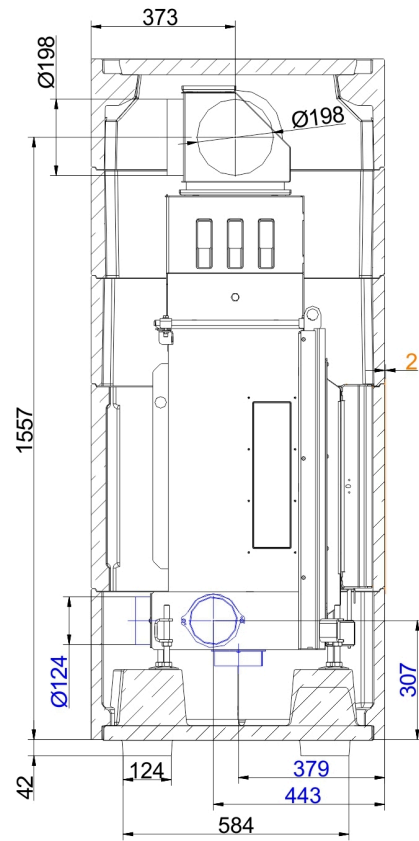
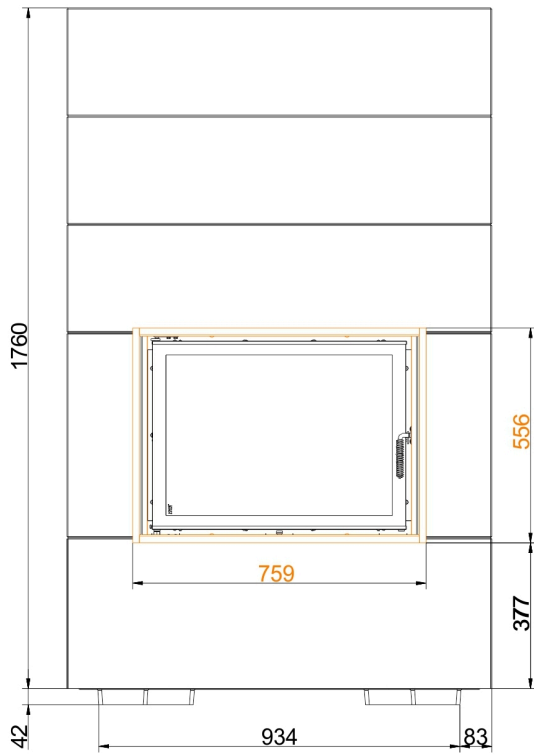
BSK 08 with Stil-Kamin 51/67

State: 2023-08-28



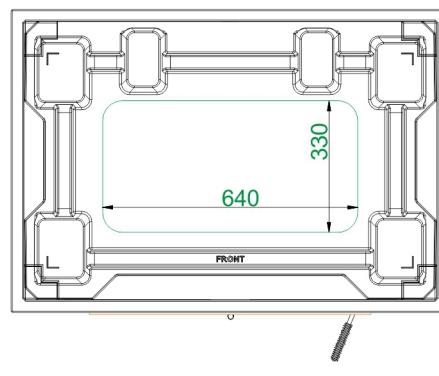
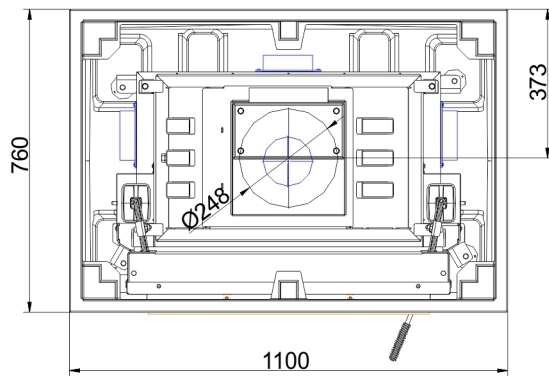
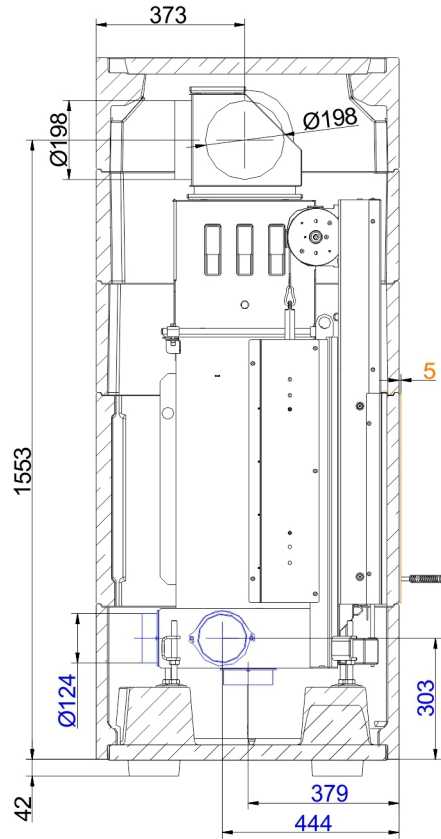
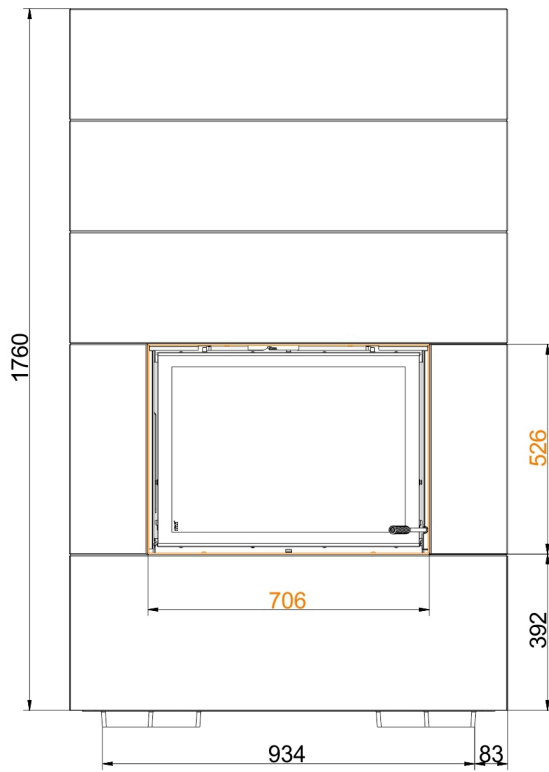
BRUNNER[®]
made in germany.

Dimension sheets - BSK 08 with Stil-Kamin 51/67



... with side opening door

Dimension sheets - BSK 08 with Stil-Kamin 51/67



...with lifting door

We suggest for CAD planning Palette CAD. Permanent updated drawings: www.brunner.de
 Frames/ flue gas outlet connection/ combustion air supply connection/ front variants/ support bearing are marked in color.

Planning and installation - BSK 08 with Stil-Kamin 51/67

Tested according to	EN 13229	
Data for functional demonstration		
Rated heat power	kW	11
Fire wood volume	kg/h	3.3
Flue gas mass flow	g/s	10.5
Flue gas temperature	°C	250
Necessary supply pressure ¹⁾	Pa	13
Combustion air consumption	m ³ /h	40
Combustion air connection Ø	mm	125
Cladding components ²⁾		
Foot print (W x D)	mm	1100 x 760
Overall height	mm	1802
Height of extension ring	mm	280
Minimal distances		
to mounting wall	cm	5
to mounting wall with heat protection panels	cm	0
to combustible mounting wall	cm	10
to combustible mounting wall with heat protection panels	cm	5
from top of fireplace to ceiling	cm	50
Cross-section of gratings ³⁾		
Convection air	cm ²	1110
Supply air	cm ²	900
Weight		
Total weight	kg	647 / 691
Meets requirement/limit values for:		
Germany/ Austria / Switzerland / Norway	1.BImSchV (Stufe 2) / 15a BVG (2015) / - / -	

- 1) Damper flap recommended
- 2) Quality features of the cladding components in concrete look (fair-faced concrete class 2-3)

Dimensional tolerances of the casting mold parts

Straightness: +- 2 mm/m

Length/width/thickness: +- 2 mm

Squareness: +- 2 mm

Flatness: +- 2,5 mm

Surface to visible side

Textur: closed and largely uniform; repair areas with color changes and hairline cracks permissible.

Porosity: max. three holes with diameter <10 mm and depth <10 mm (reference area 100x100 mm).

Colour shade: uniform, large-area light/dark discolouration and cement haze permissible; no rust and dirt spots as well as different bulk layers.

Note: deviations in color tone (e.g. extension rings) can be adjusted by applying a glaze-like paint (our recommendation: DecoLasur Matt tinted in the colour shade Schiefer16, Caparol).

With the BRUNNER revision set (Art. No. 900300), touch-up work can be carried out on the cladding components.

- 3) Existing convection air openings. If the construction differs from the supplied system kit (e.g. construction up to the ceiling or closed construction), the information in the data sheet is decisive for carrying out the cross section of the convection air openings.